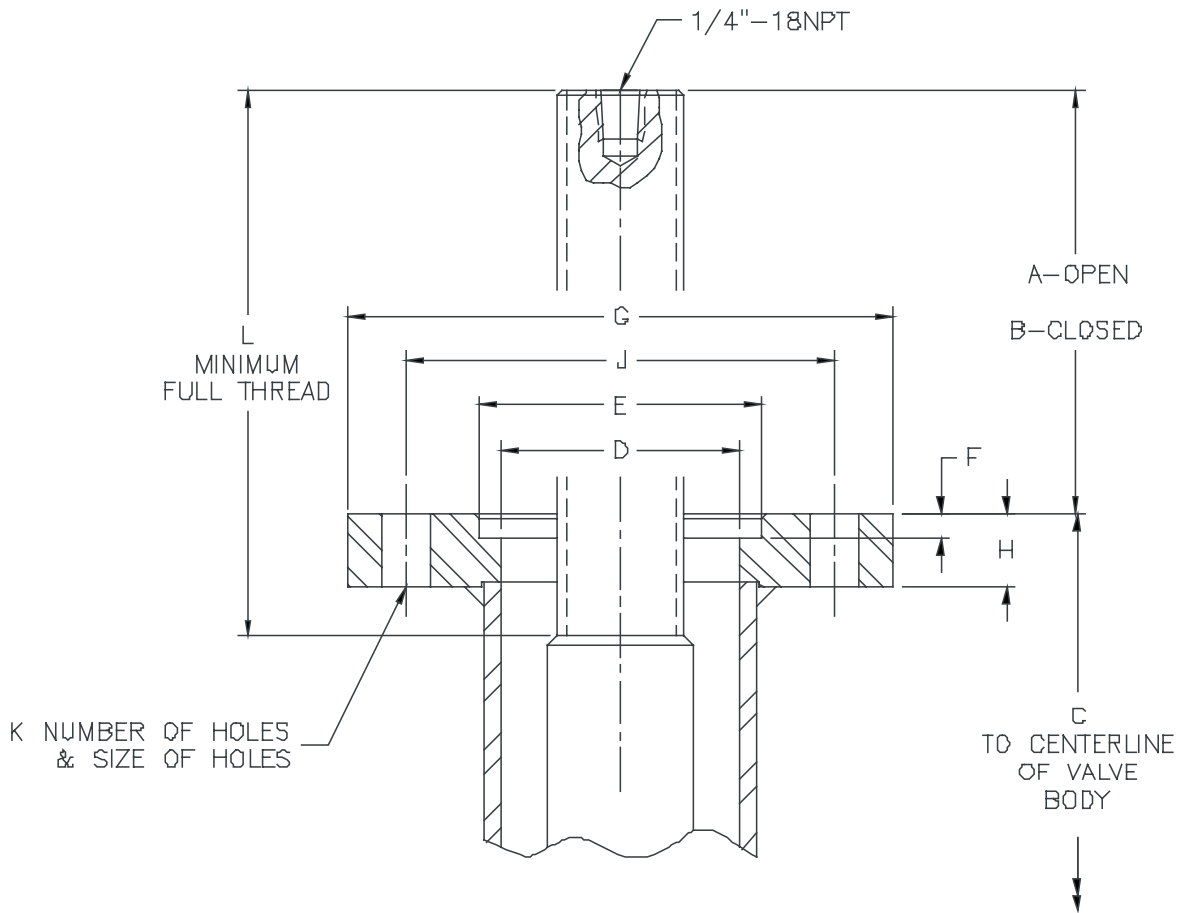


YOKE TUBE FLANGE DIMENSIONS

(2" Through 16" only)



SIZE	CLASS	A	B	C	D	E	F	G	H	J	K	L
6	300-900	11.31	4.25	26.31	2.56	3.765	.19	8.50	1.25	*5.50	(4) .69 DIA. STRADDLE CL	11
						3.775				*6.50	(4) .81 DIA. ON CL	
8	300-900	15.13	5.88	32.13	3.38	3.765	.19	8.50	1.25	*5.50	(4) .69 DIA. STRADDLE CL	15
						3.775				*6.50	(4) .81 DIA. ON CL	
10	300-900	17.56	6.19	39.75	3.38	3.765	.19	8.50	1.25	*5.50	(4) .69 DIA. STRADDLE CL	17.50
						3.775				*6.50	(4) .81 DIA. ON CL	
12	300-900	19.50	6.19	44.75	3.38	5.015 5.025	.25	8.50	1.25	6.50	(4) .81 DIA. STRADDLE CL	19.50
16	300-900	22.75	6.13	56.75	3.50	5.015 5.025	.25	8.31	1.50	6.50	(4) .81 DIA. STRADDLE CL	24
20	300-900	30.63	8.63	65.50	6.06	7.005 7.010	.31	13.50	2.63	11.75	(8) .88 DIA. STRADDLE CL	31.25
24	300-600	38.06	9.94	81.00	5.04	7.005 7.010	.31	13.50	1.63	11.75	(8) .88 DIA. STRADDLE CL	37.5
30	300-600	43.38	10.50	93.13	6.06	8.505	.31	16.75	2.63	14.0	(8) 1.38 DIA STRADDLE CL	43.5
						8.510						

* These sizes have both hole patterns in the mounting flange.